



ISO 9001  
NO.954596

ISO 14001  
NO.771475

OHSAS 18001  
NO.K033008

## SPECIFICATIONS

MODEL		NX5020H / NX5020CH	NX6020H / NX6020CH
<b>ENGINE</b>			
Manufacturer		Daedong	Daedong
Model		4B243DH-A	4B243DTH-A1
Type		4Cyl., Water-cooled Diesel Engine	4Cyl., Water-cooled Diesel Engine
No. of cylinders		4	4
Engine Gross	HP(Kw)	50	60
Rated revolution	rpm	2,600	2,600
Total displacement	cc(cu in.)	2,435(148.5)	2,435(148.5)
Fuel tank capacity	ℓ	56	56
<b>DRIVE TRAIN</b>			
Transmission		Hydrostatic	Hydrostatic
Main gear shift X range gear shift		INF. 3	INF. 3
No. of speeds		3	3
Shuttle Type		Synchro Shuttle	Power Shuttle
Steering		Hydrostatic Power Steering	Hydrostatic Power Steering
Main Brake Type		Wet Multi Disc	Wet Multi Disc
Mechanical differential lock		Rear Standard	Rear Standard
<b>HYDRAULIC SYSTEM</b>			
3 Point Lift Control Type		Mech. (Position, Draft, Mixed Control)	Mech. (Position, Draft, Mixed Control)
Total Hydraulic Flow	lpm(cc/rev)	67.6 (26cc/rev)	67.6 (26cc/rev)
Implement Pump	lpm(cc/rev)	36.4 (14cc/rev)	36.4 (14cc/rev)
Power Steering Pump	lpm(cc/rev)	31.2 (12cc/rev)	31.2 (12cc/rev)
3-Point Hitch Type		Category I	Category II
Lift Capacity @ Lift Point	kg.f(lbs)	1,605(3,538)	1,605(3,538)
No. of Standard		2	2
<b>PTO</b>			
Rear PTO Shaft		SAE 1-3/8, 6 Spline	SAE 1-3/8, 6 Spline
Type		Independent	Independent
Rear PTO	rpm	540	540
Mid PTO	rpm	2,000	2,000
<b>TIRE SIZE</b>			
AG. Tire			
Front		9.5-16	9.5-18
Rear		13.6-26	13.6-28
<b>TRAVELING SPEEDS</b>			
Forward	km/h(mph)	0~30.14(0~18.73)	0~31.64(0~19.66)
Reverse	km/h(mph)	0~30.14(0~18.73)	0~31.64(0~19.66)
<b>DIMENSIONS</b>			
Overall Length (w/o front weight and w/3pt hitch)	mm	3,547	3,547
Overall Width (minimum tread)	mm	1,665	1,669
Overall Height (ROPS)	mm	2,618	2,628
Overall Height (Cabin)	mm	2,429	2,452
Wheel Base	mm	1,920	1,920
Ground(Crop) Clearance	mm	335	350
Weight with ROPS	kg.f	1,845	1,910
Weight with Cabin	kg.f	1,988	2,063

\* NOTE: The specifications are subject to change for the purpose of improvement without any notice.

## STANDARD EQUIPMENT

- Auto 4WD
- Rear PTO
- Joystick valve
- AUTO PTO
- Draft Control
- Rear View Mirror
- Parking Brake
- Horn
- Liked Pedal
- SMV sign
- Fuel Tank Cap
- PTO Cover
- Cup Holder
- Air Conditioner (Cab Only)
- Heater (Cab Only)
- Sunvisor (Cab Only)
- Bluetooth (Cab Only)

## OPTIONAL EQUIPMENT

- Mid PTO
- Front Weight
- Rear Weight
- Rear Window Wiper



# NX Series

## 50 - 60 HP



For more information, please contact your local KIOTI dealer or visit our website at [www.kioti.com](http://www.kioti.com)



Dealer Imprint Area

LIT-CK10SE-ALL1



# NX SERIES

Powerfully built. Powerfully comfortable.

The NX6020 tractors are ready for any job that demands a durable tractor. An efficient engine, HST Drive and flat work platform make the NX series a great value tractor. The NX series is loaded with standard equipment and features such as wet disc brakes, rear remotes, PTO, adjustable seat and true cruise control.

Joystick Valve

Auto PTO

Remote Valves (2)

7-Pin Socket

Tilt Steering Wheel

Heater and A/C (cabin tractor)

CD Player (cabin tractor)

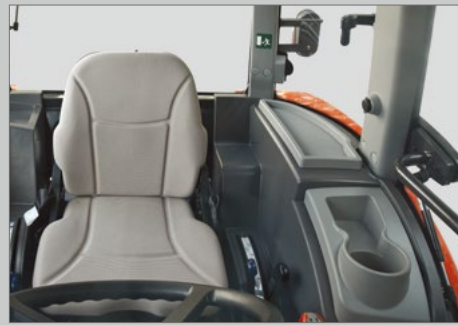






### Durable, powerful, Easy HST Transmission

The HST models feature a performance-proven, heavy duty HST that delivers power smoothly and efficiently. The three speed ranged transmission(Hi/Mid/Low) with separate twin pedal makes the job easier, smoother and safer.



### Deluxe Suspension Seat

Ergonomically designed-fully adjustable suspension seat with fabric seat allow the operator to ride in comfort no matter what the jobs may be. The seat back incorporates a built in pocket for storing of the operators manual.



### Ergonomic Joystick Lever

Ergonomic designed Joystick lever for front loader operation is standard on the NX tractors.

### Adjustable Power Steering

With hydrostatic power steering, the tractor has a smooth responsive steering that requires minimal operator effort regardless of the task at hand.

### Improved Air Conditioning System

The improved Cooling and Heating system will ensure cooler and warmer working condition for the operator.

### Wider and Clearer View

The new comfortable cabin with upgraded interior will minimize operators fatigue even after long days of work. The front glass with improved wiper position and cabin sealing method provides better visibility and improved noise protection.



# ALL NEW ADVANCED NX TECHNOLOGY!



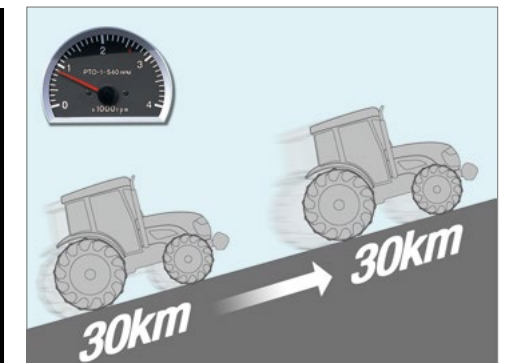
### Modern and elegant "Kioti" design

New Modern and elegant "Kioti" bonnet design enables quick and convenient access for "daily(scan026)" maintenance.



### High Projection Head and Working Lamp

With the new projection head and working lamp, the operator will experience safer and easier operation in the dark operating conditions.



### True speed cruise control(HST)

Electronic HST control system enables the tractor to maintain a set speed no matter what the condition of the road or load is. This is very useful feature especially for the works which needs precised speed.



### HST Linked pedal(HST)

When the HST linked button is engaged, the HST pedal and the engine rpm become synchronized. This greatly simplifys tractor operation and reduces fuel consumption.

### No Stall (HST)

When 'No Stall' function is engaged, the tractor will protect itself from instant engine stall when there are momentary engine overload. The operator can also fix and set maximum speed limit when safe and precise working is needed.



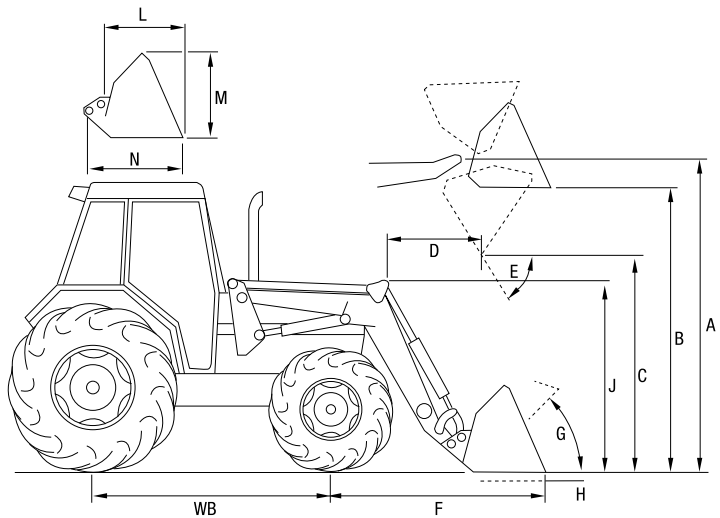


# ALL NEW ADVANCED NX TECHNOLOGY!



### Loader Specifications

Model	KL155	L156
Tractor Model	NX5020	NX6020
A. Maximum Lift Height	110.0"	110.0"
B. Clearance w/ Attachment Level	98.7"	98.7"
C. Clearance w/ Attachment Dumped	79.8"	79.8"
D. Reach at Maximum Height 45°	16.5"	16.5"
E. Maximum Dump Angle	60.8°	60.8°
F. Reach w/ Attachment on Ground	72.5"	72.5"
G. Maximum Rollback Angle	48.4°	48.4°
H. Digging Depth Below Grade	4.7"	4.7"
J. Overall Height in Carry Position	63.7"	63.7"
L. Depth of Attachment (to back of inner shell)	23.3"	23.3"
M. Height of Attachment	22.9"	22.9"
N. Depth of Attachment (to pivot pin)	31.5"	31.5"
S. Lift Capacity to Full Height at Pivot Pins	2,338 lbs	2,338 lbs
T. Breakout Force at Pivot Pin	4,700 lbs	4,700 lbs
Lift Cylinders	2.4" X 31.5"	2.4" X 31.5"
Bucket Cylinder	2.4" X 43.7"	2.4" X 43.7"
Bucket Width	67"	67"
Bucket Weight	260"	260"
Approx. Weight (Without Bucket)	1,491 lbs	1,491 lbs
Bucket Capacity	15.9 cu. ft	15.9 cu. ft



**KIOTI Premium TRACTOR**